

## ServSwitch Wizard VGA/USB™

**Extend one or two\* VGA video links plus four USB devices and speakers up to nearly 1000 feet from your computer.**

Uses one or two\* length of Category 5, 5e, 6, 7 or 7a twisted-pair cable.

\* Dual-variant models



**Customer  
Support  
Information**

Order toll-free in the U.S.: Call 877-877-BBOX (outside U.S. call 724-746-5500)  
FREE technical support 24 hours a day, 7 days a week: Call 724-746-5500 or fax 724-746-0746  
Mailing address: Black Box Corporation, 1000 Park Drive, Lawrence, PA 15055-1018  
Web site: [www.blackbox.com](http://www.blackbox.com) • E-mail: [info@blackbox.com](mailto:info@blackbox.com)

### Trademarks Used in this Manual

Black Box and the Double Diamond logo are registered trademarks, and ServSwitch is a trademark, of BB Technologies, Inc.

Mac is a registered trademark of Apple Computer, Inc.

Linux is registered trademark of Linus Torvalds.

Windows is a registered trademark of Microsoft Corporation.

NetWare is a registered trademark of Novell, Inc.

Sun is a trademark of Sun Microsystems, Inc.

Unix is a registered trademark of UNIX System Laboratories, Inc.

BSD is a registered trademark of UUNet Technologies, Inc.

Any other trademarks mentioned in this manual are acknowledged to be the property of the trademark owners.

We're here to help! If you have any questions about your application or our products, contact Black Box Tech Support at **724-746-5500** or go to **blackbox.com** and click on "Talk to Black Box." You'll be live with one of our technical experts in less than 30 seconds.

### Federal Communications Commission and Industry Canada Radio Frequency Interference Statements

This equipment generates, uses, and can radiate radio-frequency energy, and if not installed and used properly, that is, in strict accordance with the manufacturer's instructions, may cause interference to radio communication. It has been tested and found to comply with the limits for a Class A computing device in accordance with the specifications in Subpart B of Part 15 of FCC rules, which are designed to provide reasonable protection against such interference when the equipment is operated in a commercial environment. Operation of this equipment in a residential area is likely to cause interference, in which case the user at his own expense will be required to take whatever measures may be necessary to correct the interference.

Changes or modifications not expressly approved by the party responsible for compliance could void the user's authority to operate the equipment.

This digital apparatus does not exceed the Class A limits for radio noise emission from digital apparatus set out in the Radio Interference Regulation of Industry Canada.

Le présent appareil numérique n'émet pas de bruits radioélectriques dépassant les limites applicables aux appareils numériques de la classe A prescrites dans le Règlement sur le brouillage radioélectrique publié par Industrie Canada.

## Instrucciones de Seguridad

### (Normas Oficiales Mexicanas Electrical Safety Statement)

1. Todas las instrucciones de seguridad y operación deberán ser leídas antes de que el aparato eléctrico sea operado.
2. Las instrucciones de seguridad y operación deberán ser guardadas para referencia futura.
3. Todas las advertencias en el aparato eléctrico y en sus instrucciones de operación deben ser respetadas.
4. Todas las instrucciones de operación y uso deben ser seguidas.
5. El aparato eléctrico no deberá ser usado cerca del agua—por ejemplo, cerca de la tina de baño, lavabo, sótano mojado o cerca de una alberca, etc.
6. El aparato eléctrico debe ser usado únicamente con carritos o pedestales que sean recomendados por el fabricante.
7. El aparato eléctrico debe ser montado a la pared o al techo sólo como sea recomendado por el fabricante.
8. Servicio—El usuario no debe intentar dar servicio al equipo eléctrico más allá a lo descrito en las instrucciones de operación. Todo otro servicio deberá ser referido a personal de servicio calificado.
9. El aparato eléctrico debe ser situado de tal manera que su posición no interfiera su uso. La colocación del aparato eléctrico sobre una cama, sofá, alfombra o superficie similar puede bloquea la ventilación, no se debe colocar en libreros o gabinetes que impidan el flujo de aire por los orificios de ventilación.
10. El equipo eléctrico deber ser situado fuera del alcance de fuentes de calor como radiadores, registros de calor, estufas u otros aparatos (incluyendo amplificadores) que producen calor.
11. El aparato eléctrico deberá ser conectado a una fuente de poder sólo del tipo descrito en el instructivo de operación, o como se indique en el aparato.
12. Precaución debe ser tomada de tal manera que la tierra física y la polarización del equipo no sea eliminada.
13. Los cables de la fuente de poder deben ser guiados de tal manera que no sean pisados ni pellizcados por objetos colocados sobre o contra ellos, poniendo particular atención a los contactos y receptáculos donde salen del aparato.
14. El equipo eléctrico debe ser limpiado únicamente de acuerdo a las recomendaciones del fabricante.
15. En caso de existir, una antena externa deberá ser localizada lejos de las líneas de energía.
16. El cable de corriente deberá ser desconectado del cuando el equipo no sea usado por un largo periodo de tiempo.
17. Cuidado debe ser tomado de tal manera que objetos líquidos no sean derramados sobre la cubierta u orificios de ventilación.
18. Servicio por personal calificado deberá ser provisto cuando:
  - A: El cable de poder o el contacto ha sido dañado; u
  - B: Objetos han caído o líquido ha sido derramado dentro del aparato; o
  - C: El aparato ha sido expuesto a la lluvia; o
  - D: El aparato parece no operar normalmente o muestra un cambio en su desempeño; o
  - E: El aparato ha sido tirado o su cubierta ha sido dañada.

Contents

1. Specifications..... 6

2. Overview..... 7

3. Installation..... 8

    3.1 Mounting the modules – desk or rack..... 8

        3.1.1 Desk mount..... 8

        3.1.2 Rack mount..... 9

    3.2 Connections..... 10

        3.2.1 Connections at the local module..... 10

        3.2.2 Connections at the remote module..... 16

        3.2.3 Dual user configuration..... 20

    3.3 Video display (DDC) information..... 22

        3.3.1 DDC indications..... 23

    3.4 Video compensation..... 24

        3.4.1 To enter video compensation mode..... 25

        3.4.2 To exit video compensation mode (return to normal operation)..... 25

        3.4.3 To set the cable type..... 26

        3.4.4 To set the cable length..... 26

        3.4.5 To adjust video gain..... 27

        3.4.6 To adjust color skew..... 27

4. Operation..... 28

    4.1 General use..... 28

    4.2 Dual user arbitration..... 28

    4.3 Peripheral operation..... 28

        4.3.1 USB..... 28

Appendix A. Troubleshooting..... 30

    A.1 Status indicators..... 30

Appendix B. Safety Information..... 31

## 1. Specifications

### ServSwitch Wizard VGA/USB single-variant

Casings (w x h x d):	118.4mm (4.66") x 26mm (1.02") x 74.8mm (2.94")
Construction:	1U compact case, robust metal design
Weight:	0.33kg (0.72lbs)
Mount kits:	Rack mount
Power to adapter:	100-240VAC 50/60Hz, 0.5A,
Power to remote unit:	5VDC 12.5W
Operating temp:	32 to 104°F (0 to 40°C)
Approvals:	CE, FCC

### ServSwitch Wizard VGA/USB dual-variant

Casings (w x h x d):	Local module: 122mm (4.7") x 48mm (2") x 75mm (3") Remote module: 162mm (6.4") x 48mm (2") x 75mm (3")
Construction:	1U compact case, robust metal design
Weight:	Local module: 500g (1.1lbs) Remote module: 650g (1.4lbs)
Mount kits:	Rack mount
Power to adapter:	100-240VAC 50/60Hz, 0.5A,
Power to units:	5VDC 12.5W
Operating temp:	0°C to 40°C (32°F to 104°F)
Approvals:	CE, FCC

## 2. Overview

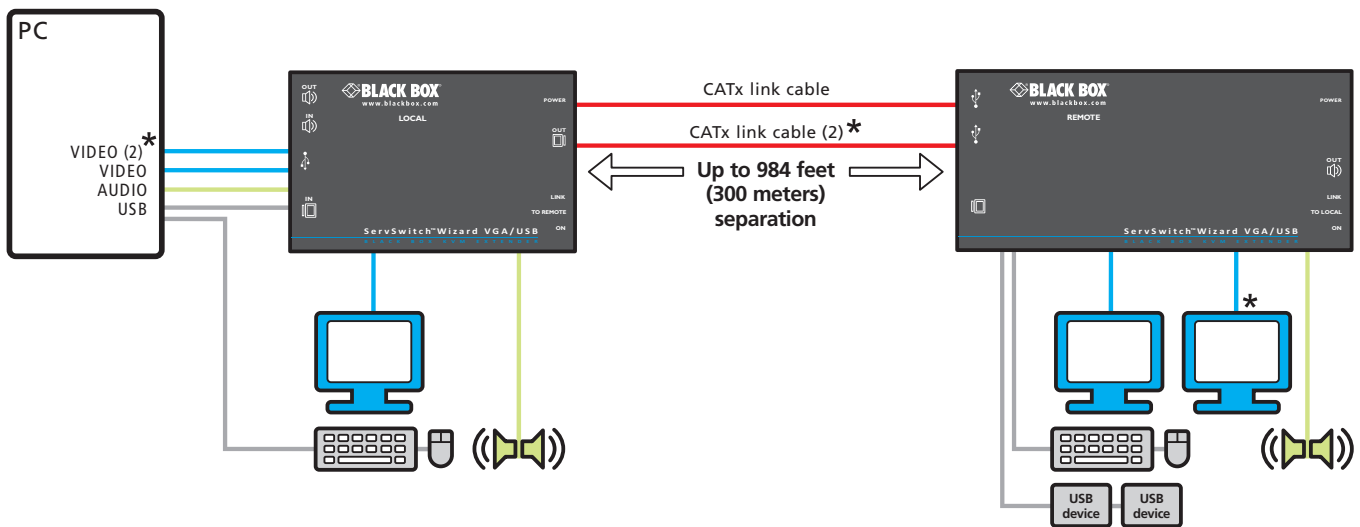
Thank you for choosing the ServSwitch Wizard VGA-USB extenders which provide a very effective way to put distance between your computer and its peripherals.

The compact casings and ease of use of the modules belie the ingenuity of their operation. Using our proprietary transmission techniques we are able to reliably transfer more signals than ever before along a single length of Category 5, 5e, 6, 7 or 7a twisted pair cabling. What this means for you is that your video, audio, USB keyboard, USB mouse and two other USB channels are all readily and reliably available at up to 984 feet (300 meters) away.

Using the ServSwitch Wizard VGA-USB extenders does not mean that you need to compromise on functionality in any way. Our highly efficient transmission methods mean that CD quality sound and high video resolutions of up to 1920 x 1200 are fully supported. Any lag effects caused by long cable runs are easily eliminated using the intuitive video compensation system located within the remote module. Three equalisation bands allow you to ensure that every color arrives at precisely the right time, ensuring a sharp image every time. The ServSwitch Wizard VGA-USB dual-variant models use an additional CATx connection to provide dual analog video links.

The USB connections are seamless allowing four full speed USB 2.0 devices to be used simultaneously with full support for disconnect/re-connect at any time without causing errors.

The ServSwitch Wizard VGA-USB extenders have been designed to be quick to install and totally transparent in operation: 'Fit and forget' is the motto. So whether you are extending your workplace or creating a cost-effective distributed audio visual system, the ServSwitch Wizard VGA-USB extenders provide the power and flexibility to create the right solution.



### Maximum cable lengths

CAT 5	820 feet (250 m)
CAT 5e	820 feet (250 m)
CAT 6	984 feet (300 m)
CAT 7	984 feet (300 m)
CAT 7a Patch	656 feet (200 m)

\* The dual-variant provides a second analog video channel.

## 3. Installation

### 3.1 Mounting the modules – desk or rack

The modules can be situated on a desk or alternatively, for larger installations, mounted within an optional rack mount chassis.

#### 3.1.1 Desk mount

Apply the supplied self-adhesive rubber feet to the underside of the module as shown in Figure 3-1:

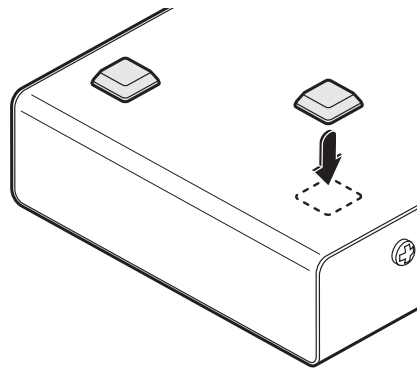


Figure 3-1. Applying the supplied self-adhesive rubber feet to the underside of the module



### 3.1.2 Rack mount

Note: The module switches are not accessible once it is inserted into the rack, therefore, check all settings before insertion.

- 1 Place the rack securing plate (available as a separate kit) onto the front of the module and secure it with the two countersunk screws.
- 2 Orient the module on its side so that its labeled face is the correct way up.
- 3 Slide the module into the required rack position. The rectangular cut-out in the front upper lip of the rack allows the two screws on the module's upper edge to slide through.
- 4 The rack mount chassis has a series of holes in its floor that are spaced to accommodate the two screws on the module's lower edge. Ensure that the screws correctly locate into the two holes of the chosen slot. The rack securing plate on the module should now be flush with the front of the rack mount chassis.
- 5 Use the third (pan-head) screw, in the top hole of the rack securing plate to fasten the module to the rack as shown in Figure 3-2:

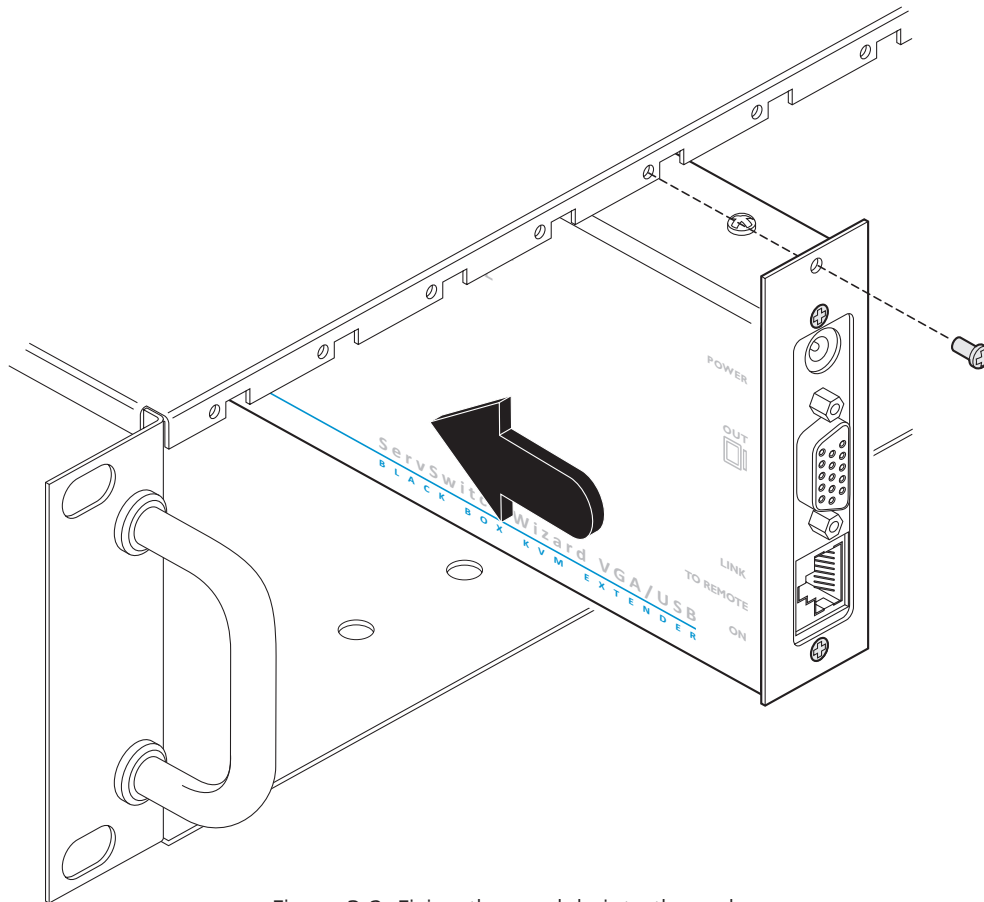


Figure 3-2. Fixing the module into the rack

## 3.2 Connections

Installation of the modules is straightforward and requires minimal configuration in most cases.

- Connections at the local module
- Connections at the remote module

**IMPORTANT:** The ServSwitch Wizard VGA-USB can be used with other hubs in the system, but please note that the local unit should not be connected to the downstream port of a bus-powered hub due to power constraints. Additionally, dual-variant local units must always be powered using their supplied power adapter. Please see section 3.2.1.5 Local module power for details.

### 3.2.1 Connections at the local module

#### 3.2.1.1 Video connections

- 1 Where possible ensure that power is disconnected from the computer system to be connected.
- 2 Use the supplied VGA link cable to connect the VGA input socket of the local module to the video output socket of the computer as shown in Figure 3-3:

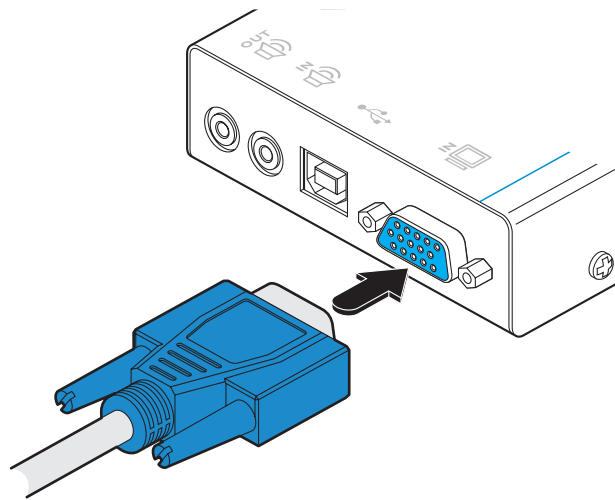


Figure 3-3. Attaching the VGA video link cable

[Dual-variant only] Optionally attach a second video input from the computer system.

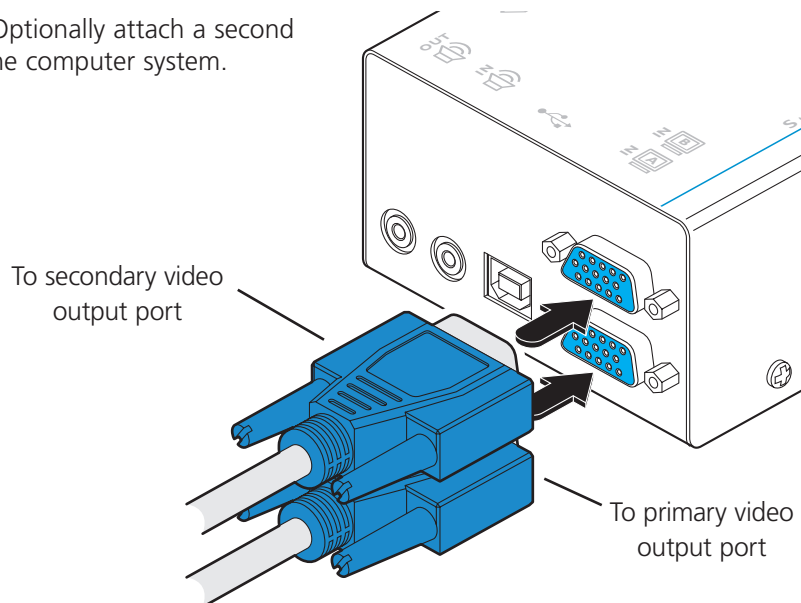


Figure 3-4. Attaching two VGA video link cables to the dual-variant local module

3 Optionally connect a local video display to the video out feed-through connector on the local module as shown in Figure 3-5:

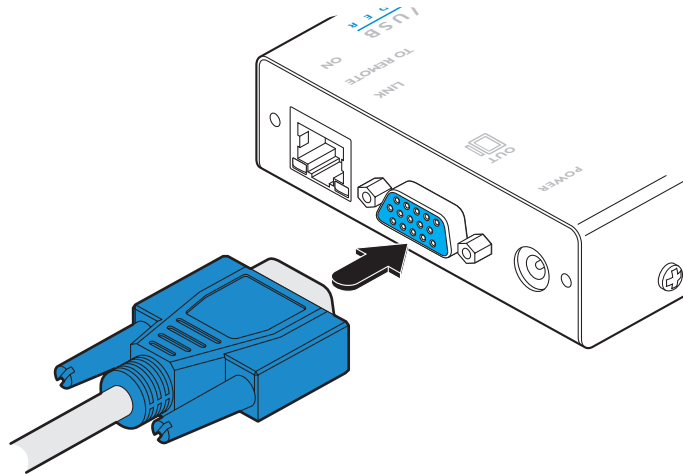


Figure 3-5. Optionally attaching a video display to the local module

[Dual-variant only] Optionally connect a second local video display to the upper socket on the local module.

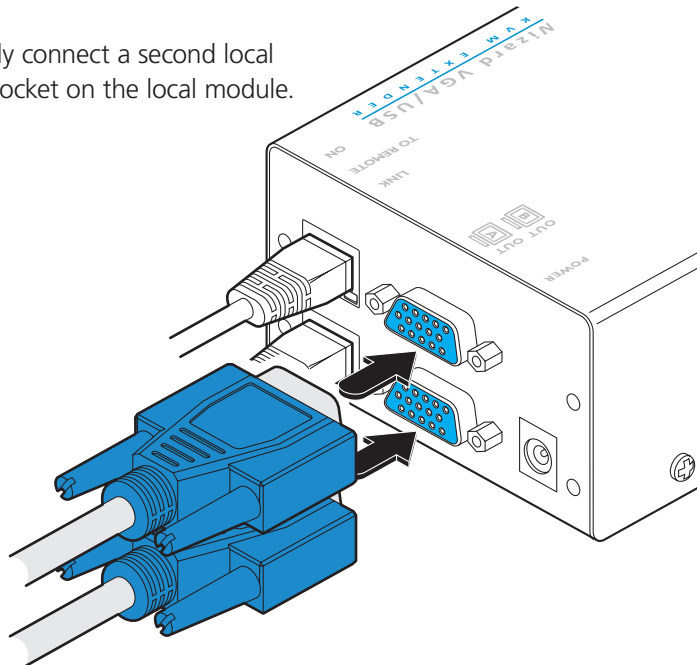


Figure 3-6. Attaching two VGA video displays to the dual-variant local module

### 3.2.1.2 USB connections

IMPORTANT: The Wizard VGA/USB can be used with other USB hubs in the system, but please note that due to power constraints, the local unit should not be connected to the downstream port of a bus-powered USB hub. Additionally, Wizard VGA/USB dual-variant local units must always be powered using their supplied power adapter. Please see section 3.2.1.5 Local module power for details.

- 1 Use the supplied USB cable to link the USB socket of the local module to a vacant USB socket on the computer as shown in Figure 3-7:

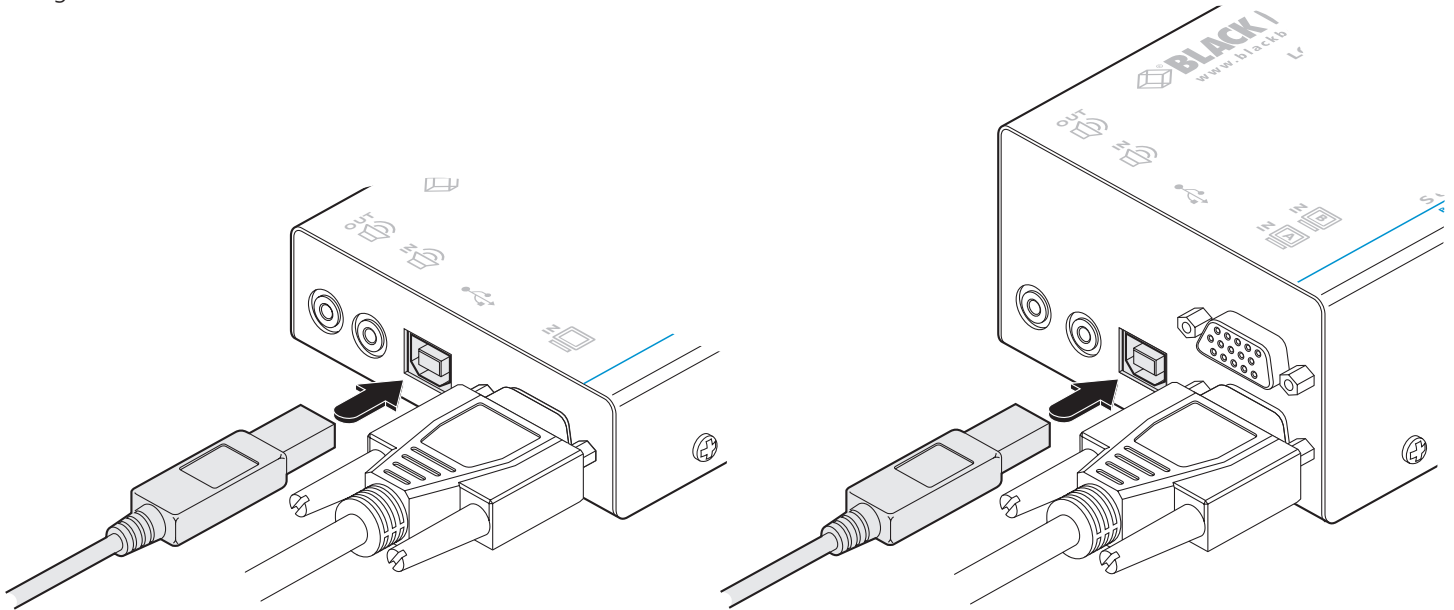


Figure 3-7. Attaching the USB link cable to the single- and dual-variant local modules

### 3.2.1.3 Audio connections

- 1 Optionally connect an audio link from the computer's speaker port to the audio input port on the local module as shown in Figure 3-8.

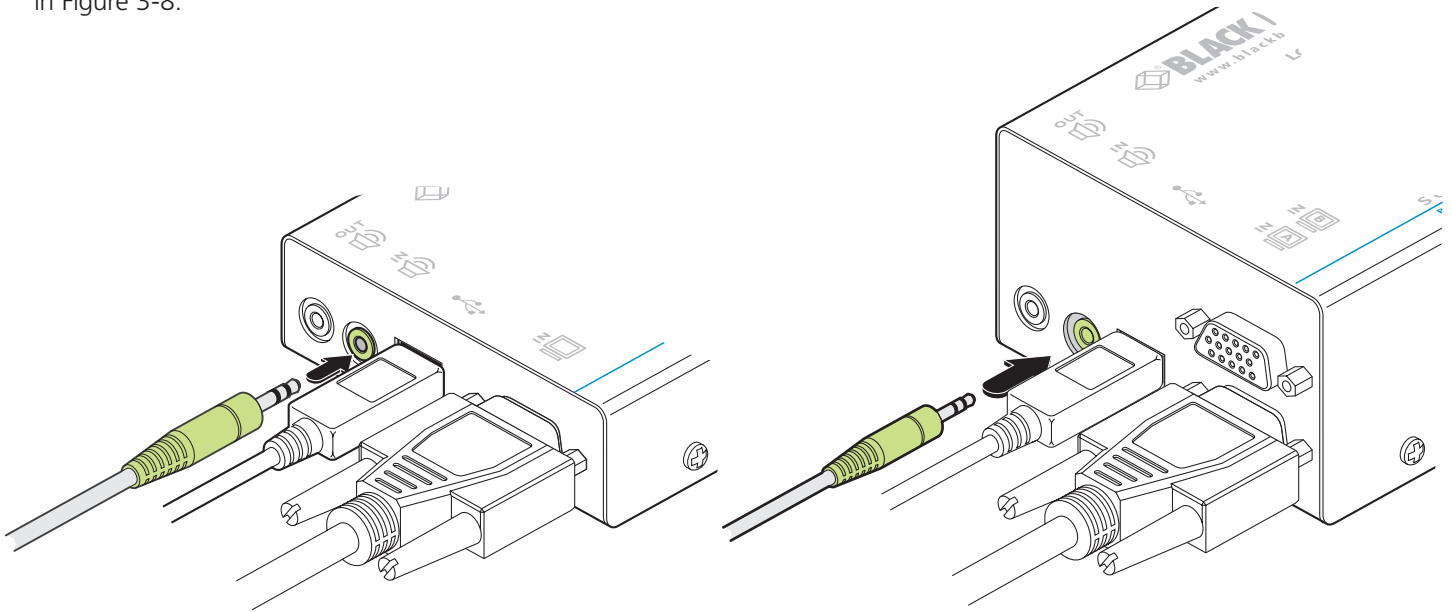


Figure 3-8. Attaching an audio input to the single- and dual-variant local modules

- 2 Optionally connect local speakers to the audio output port on the local module as shown in Figure 3-9.

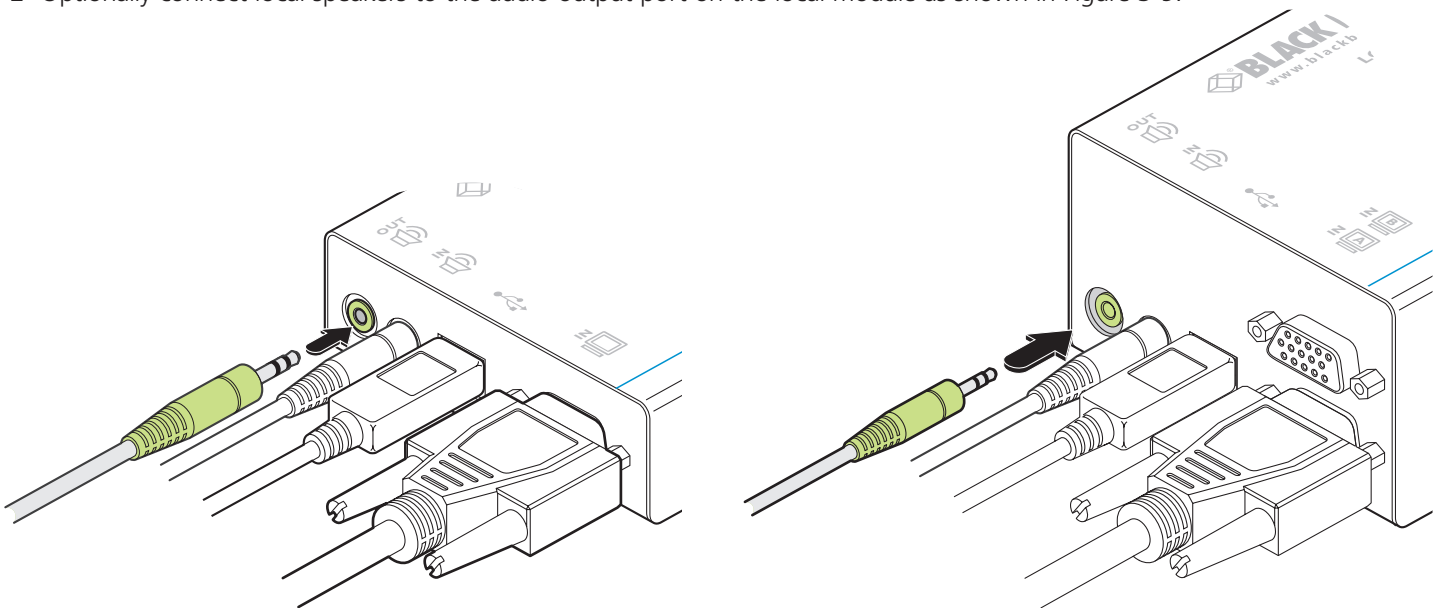


Figure 3-9. Attaching speakers to the single- and dual-variant local modules

## 3.2.1.4 Link connections

- 1 Connect the link cable (up to 984 feet/300 meters in length) to the local module socket labeled **TO REMOTE** as shown in Figure 3-10:

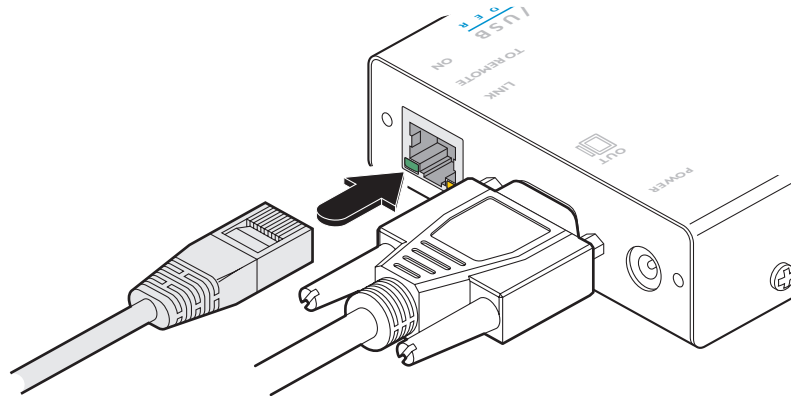


Figure 3-10. Attaching the CATx link cable

[Dual-variant only] Attach a second category 5e, 6 or 7a link cable (up to 984 feet/300 meters in length) to the upper socket on the dual-variant local module.

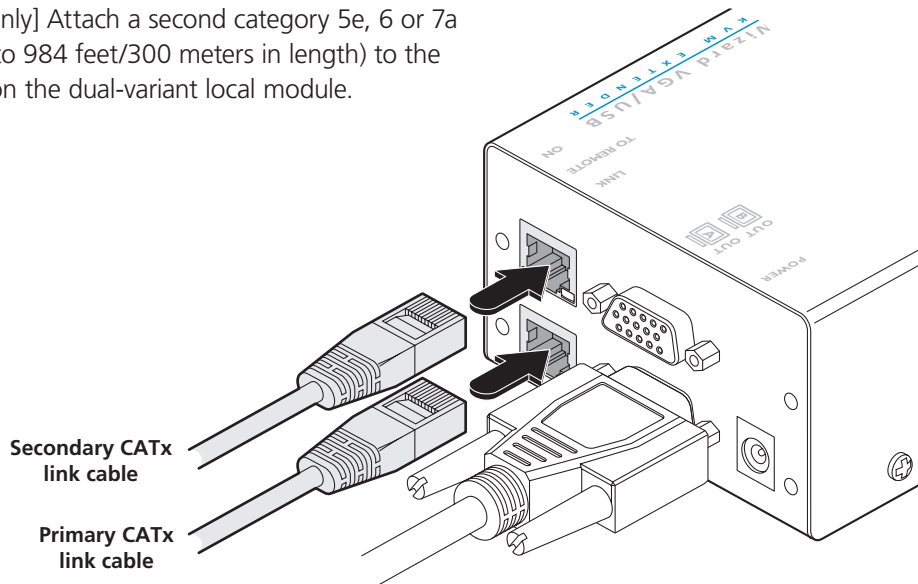


Figure 3-11. Attaching two CATx link cables to a dual-variant local module  
Ensure that the primary and secondary links from the local module are not crossed.

### 3.2.1.5 Local module power

The single- and dual-variant local modules differ in the way that they are powered:

- The single-variant local module is designed to derive its power from the host computer via the USB connection. If this is not possible, then use an optional power adapter, available from your Black Box stockist.
- The dual-variant local module always requires the use of a power adapter and hence two power adapters are supplied with all Wizard VGA/USB dual-variant units.

#### For all dual-variant and optionally for single-variant units:

- 1 Connect the output lead of the optional power adapter to the socket labelled 'POWER' on the local module. See Figure 3-12.

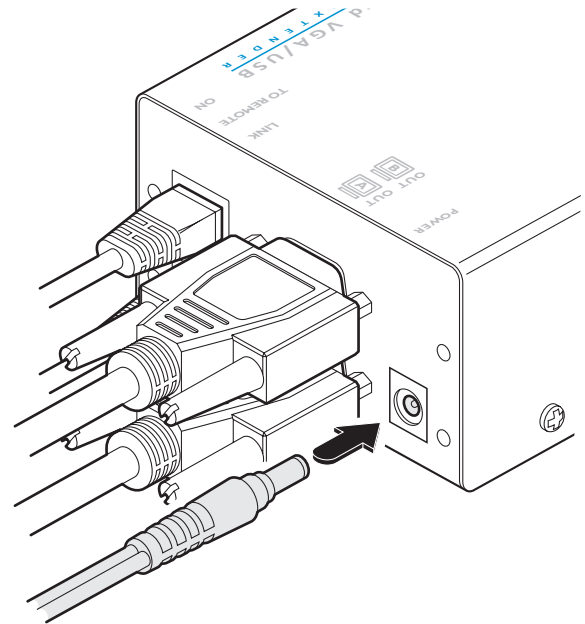
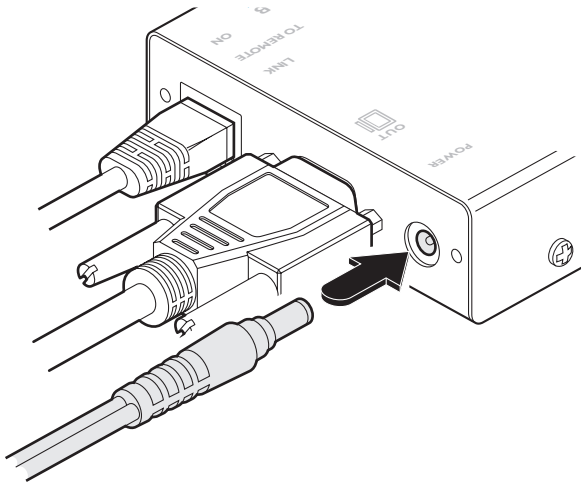


Figure 3-12. The use of a power supply on single-variant local modules is optional. Dual-variant local modules always require a power supply.

- 2 Insert the IEC connector of the separate power lead into the corresponding socket of the power adapter. See Figure 3-13.

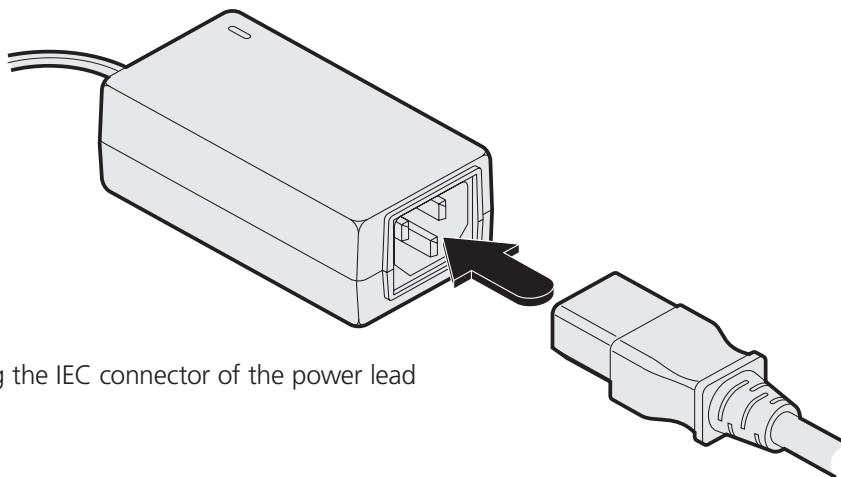


Figure 3-13. Inserting the IEC connector of the power lead

- 3 When all other connections have been made at the transmitter and receiver modules, connect the other end of the power cable to a nearby earthed power outlet.
- 4 After all connections are made, power up the monitor and the REMOTE module first (followed by the LOCAL module, if using the dual-variant) and then switch on the computer.

## 3.2.2 Connections at the remote module

### 3.2.2.1 Video connections

- 1 Where possible ensure that power is disconnected from the computer system to be connected.
- 2 Attach the lead from the video display to the video out socket on the remote module as shown in Figure 3-14:

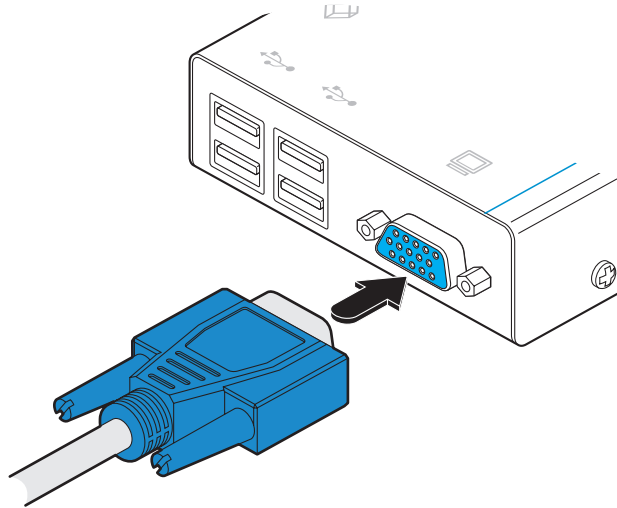


Figure 3-14. Attaching the VGA video display cable

[Dual-variant only] Optionally attach the lead from a second video display to the upper video out socket on the dual-variant remote module.

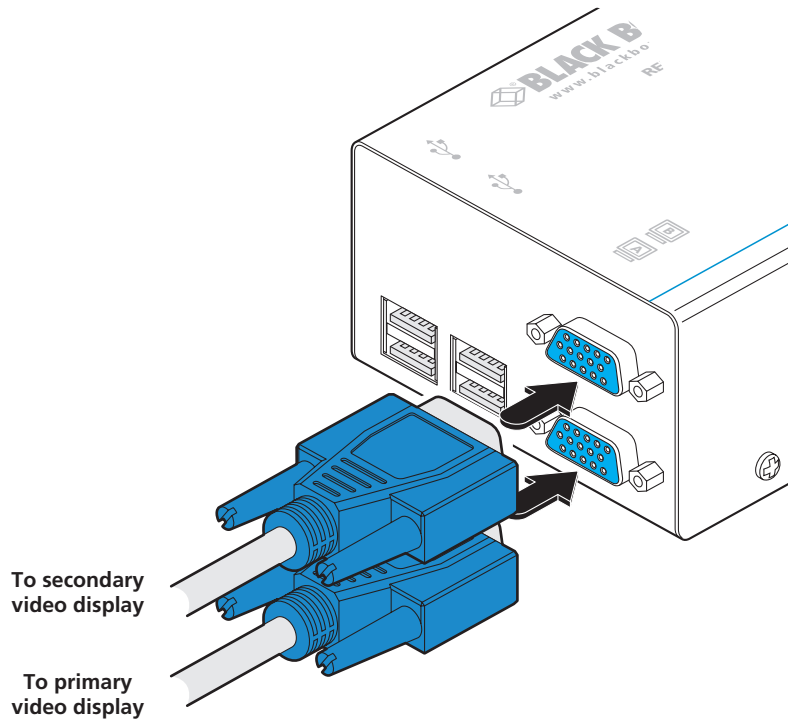


Figure 3-15. Attaching two VGA video display cables to the dual-variant local module



### 3.2.2.2 USB connections

- 1 Attach the leads of up to four USB devices (two of which are usually a keyboard and mouse) to the sockets located adjacent to the video output connector as shown in Figure 3-16:

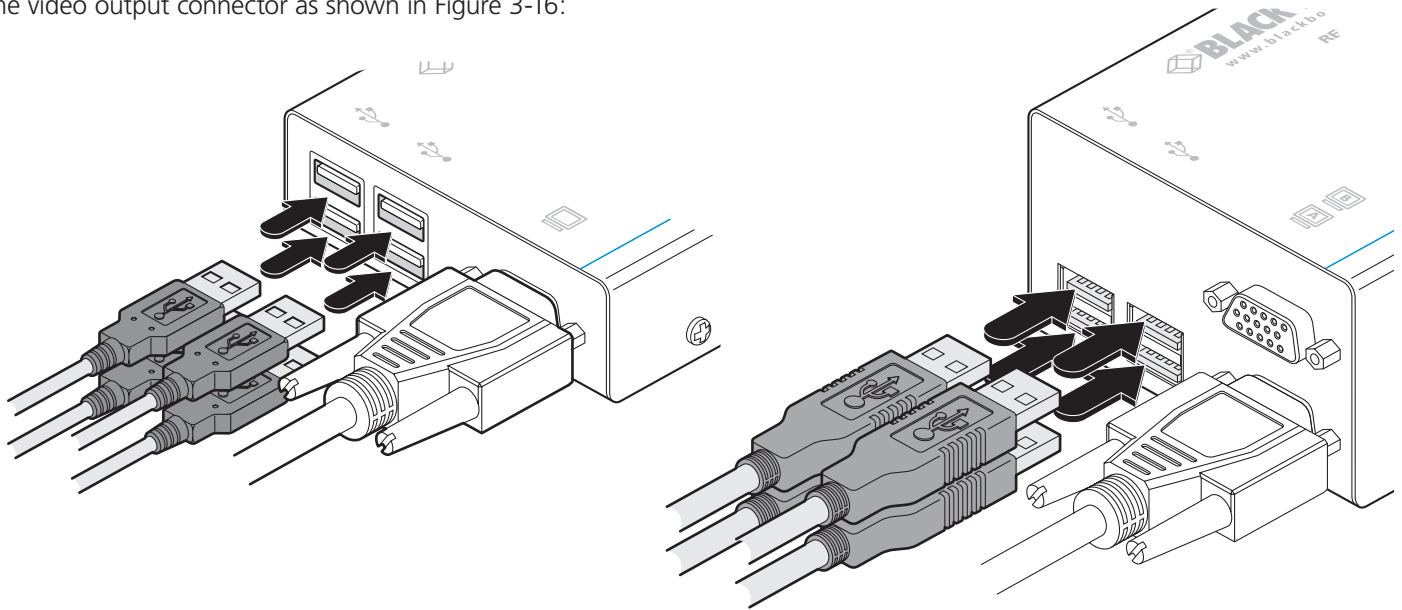


Figure 3-16. Attaching the keyboard, mouse and other USB cables

[Dual-variant only] **IMPORTANT:** When connecting four USB devices to the remote module, ensure that their total power requirements do not exceed 1700mA (1.7A). The USB standard states a maximum allowable current draw of 500mA (0.5A) per device, although most devices remain well below this limit - USB keyboards and mice typically require 100mA. Each Wizard VGA-USB module contains a self-resetting fuse that will prevent damage by shutting down the unit if the total power draw becomes excessive.

### 3.2.2.3 Audio connections

- 1 Optionally attach the lead from your stereo speakers to the audio output socket on the remote module as shown in Figure 3-17:

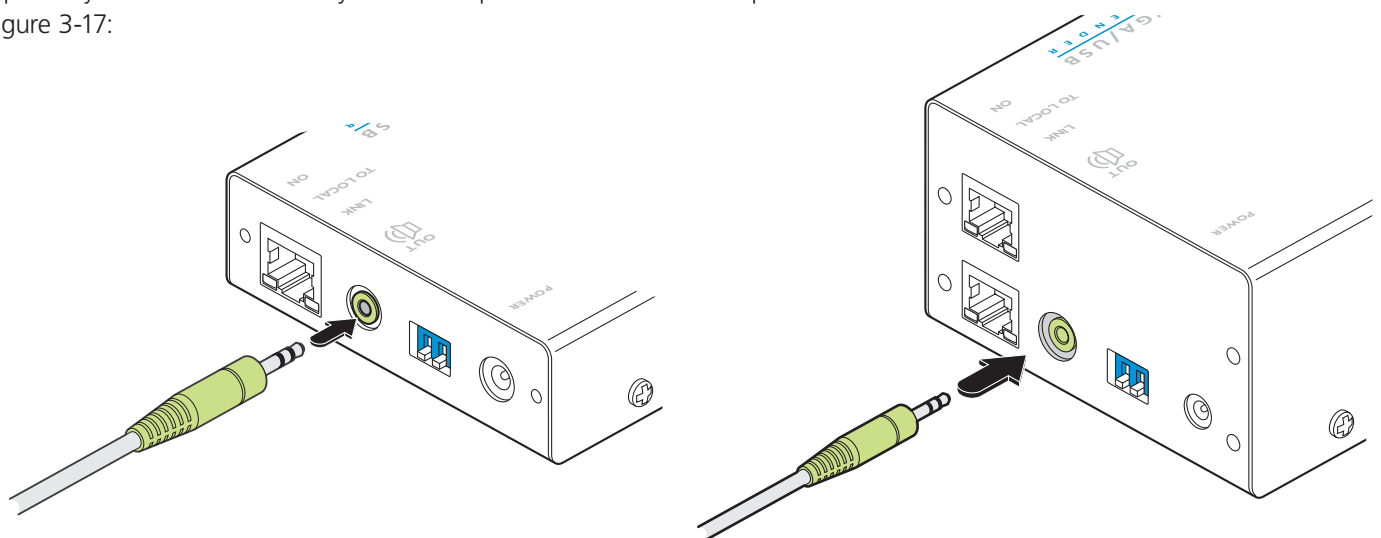


Figure 3-17. Optionally attaching stereo speakers

## 3.2.2.4 Link connections

- 1 Attach the connector of the category 5, 5e, 6, 7 or 7a link cable (up to 984 feet/300 meters in length) to the 'TO LOCAL' socket on the remote module as shown in Figure 3-18:

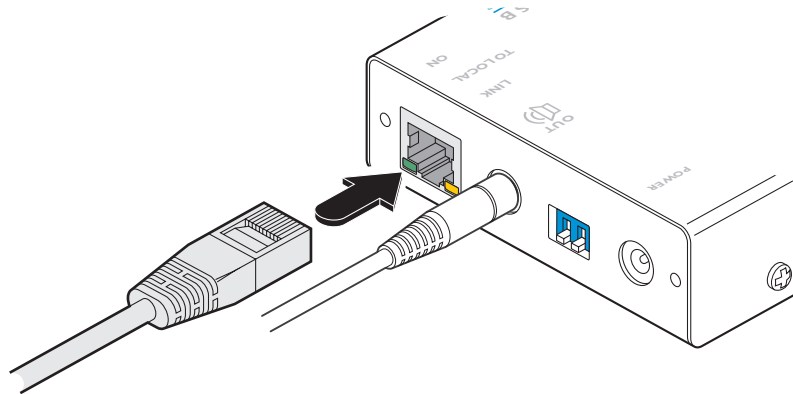


Figure 3-18. Attaching the CATx link cable

- [Dual-variant only] Connect a second category 5, 5e, 6, 7 or 7a link cable (up to 984 meters in length) to the upper socket on the remote module as shown in Figure 3-19:

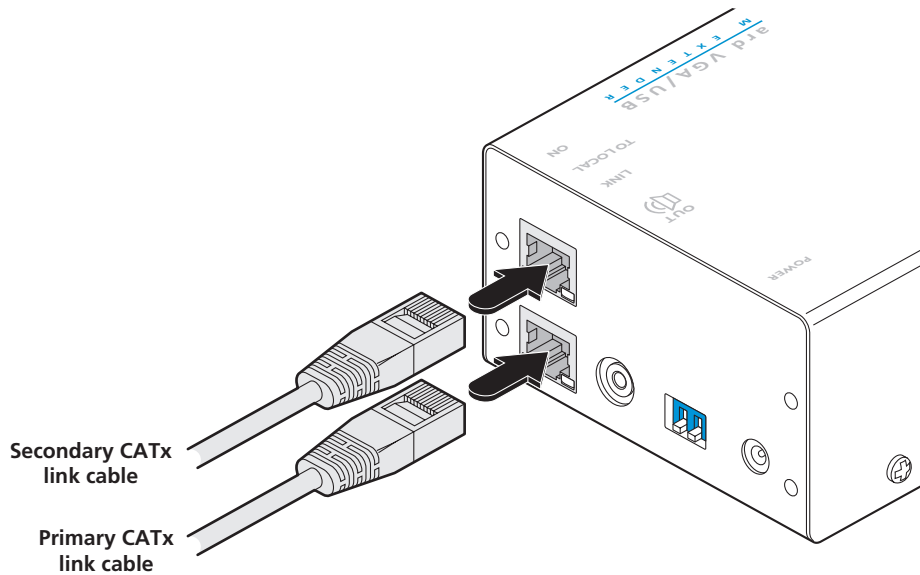


Figure 3-19. Attaching two CATx link cables to a dual-variant remote module. Ensure that the primary and secondary links from the local module are not crossed.

### 3.2.2.5 Remote module power

1 Attach the output connector of the power adapter to the 'POWER' socket of the remote module as shown in Figure 3-20:

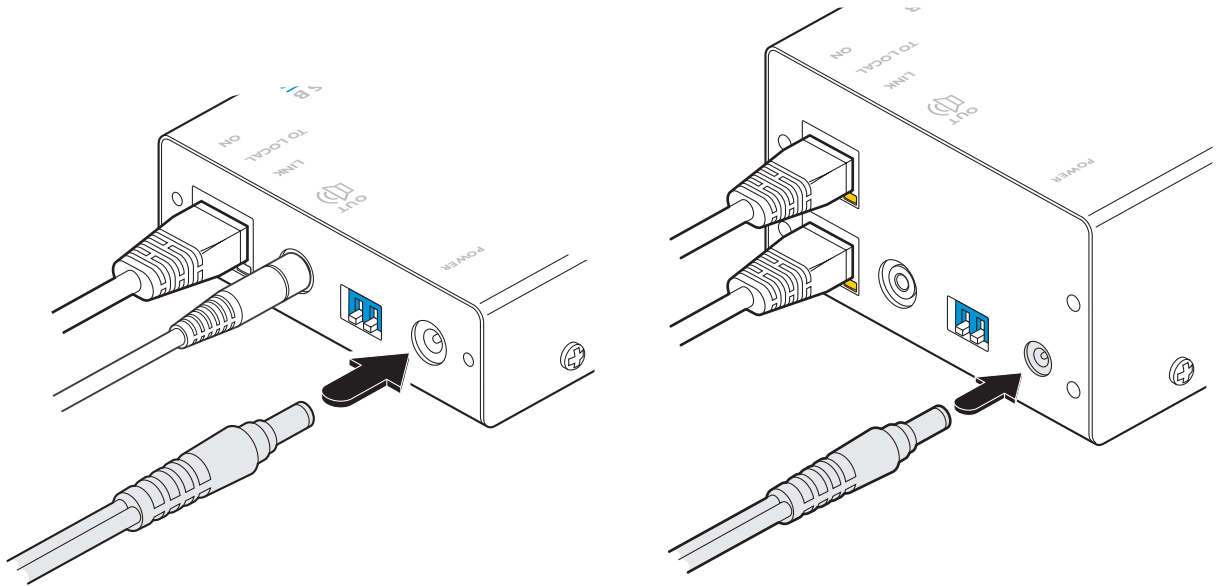


Figure 3-20. Attaching the power adapter

2 Attach the IEC power cord to the power adapter body and insert the mains plug of the cord to a nearby power outlet as shown in Figure 3-21:

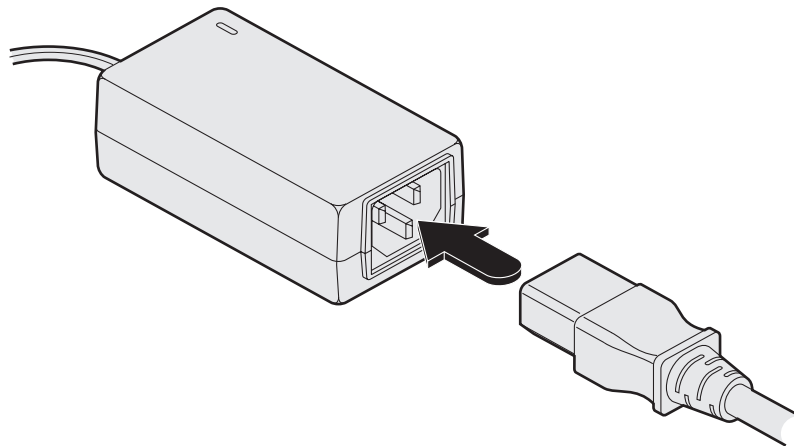


Figure 3-21. Attaching the power cord to the adapter

## 3.2.3 Dual user configuration

You can combine two ServSwitch Wizard VGA-USB extender sets to create a dual user configuration. Such an installation would allow a single computer to be controlled from two different positions, with each position receiving the same audio visual output and having equal and concurrent control over the computer. Arbitration between the two positions is handled by the computer's USB system and so this arrangement is better suited to situations where two users would not often require simultaneous access.

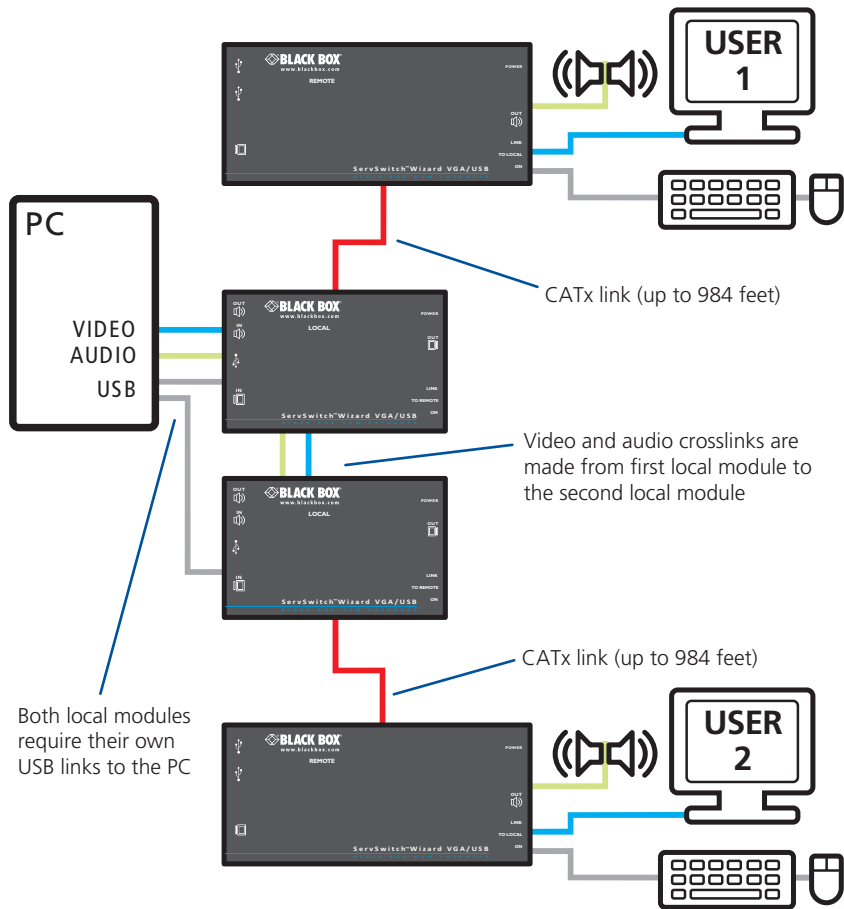


Figure 3-22. The logical layout of a dual user configuration

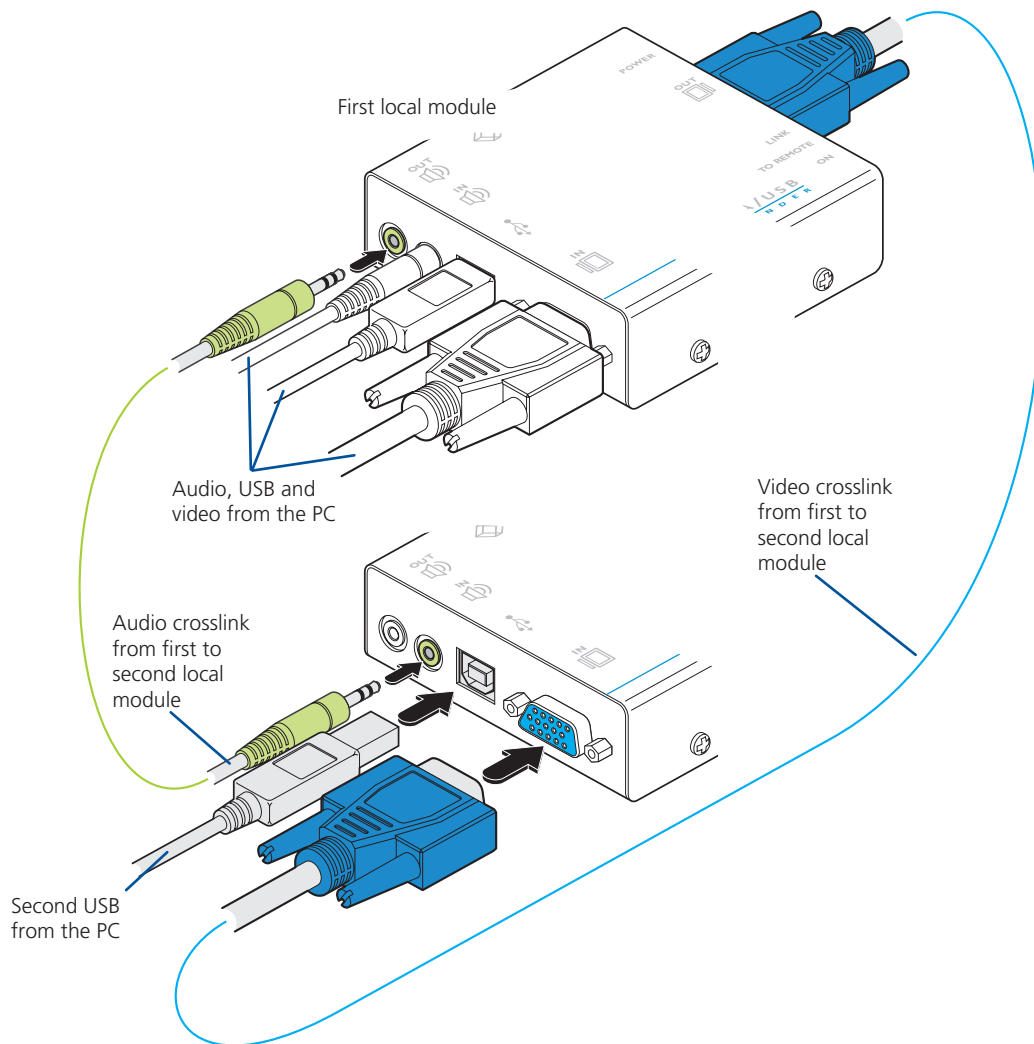


Figure 3-23. Interconnections required for a dual user configuration

Most of the connections are similar to the standard configuration. The main difference is in the links to the second local module. Use an audio link lead to connect the audio out socket of the first local module to the audio in socket of the second. Similarly, use a video link lead to connect the video out and video in ports. The second local module then requires its own USB link directly to the computer. In all other respects follow the standard instructions to connect CATx links and all of the remote module connections.

### 3.3 Video display (DDC) information

The Display Data Channel (or DDC) is an industry standard scheme which allows video monitors to declare their capabilities to the computer's video adapter circuitry, allowing the latter to optimise their outputs accordingly. Since the widespread adoption of the scheme, video adapters have become increasingly dependent on receiving relevant DDC information during startup, before they will output anything more than a rudimentary video signal.

It is not possible to transmit DDC data back from the video monitor that is attached to the remote module to the computer's video adapter. Therefore, during startup of the local module, it will search for a video monitor connected to its local feed-through connector:

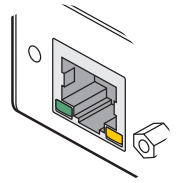
- If a local video monitor is found, its DDC information will be compared to the information already stored and, if different, will be copied, stored and presented to the video adapter upon request.
- If no local video monitor is found, the local module will make available its previously stored set of DDC parameters to the video adapter upon request; or, if none were stored, a default set.

In either case, the DDC information taken by the video adapter will be used to determine the video output that is sent via the ServSwitch Wizard VGA-USB modules to the remote monitor.

If you find that the default DDC information is not completely suitable for your remote monitor, try temporarily connecting your remote monitor to the video out port of the local module. When the local module is powered up, it will read and store the DDC information from your monitor. You can then return the monitor to its remote position and the new DDC information will be used at every power on.

### 3.3.1 DDC indications

When power is first applied to the local module (either from the computer's USB port or an optional power adapter) it will search for valid DDC data on its video out connector. During this process, the green indicator (built into the link connector) will flash to indicate its progress:



- If no valid DDC information is located, the green indicator will give one very short flash, representing an attempt to read data. No changes will be made to the information already stored within the local module.
- If the DDC information is the same as that already stored, no change will be made and the green indicator will give one single flash as the information is checked and normal operation resumes.
- If different DDC information is located, the green indicator will flash rapidly for 2 to 3 seconds while the new information is stored. A single flash will then be given as the information is checked and normal operation resumes.

The local module's green indicator also provides fault indications to assist with troubleshooting:

- Two flashes - Checksum error prior to copying - no information will be programmed.
- Three flashes - Too much data to fit into the module - the module can hold a maximum of two pages of DDC information.
- Rapid flashing followed by four flashes - data was lost during copying - the default data was substituted. Repeat the power on process.
- Rapid flashing followed by five flashes - Checksum error during copying - the default data was substituted. Repeat the power on process.

## 3.4 Video compensation

The ServSwitch Wizard VGA-USB modules include a video compensation system that allows you to get the best results from your remote video display(s). Using this special mode you can configure:

- **Cable type** - Select the type of link cable used.
- **Cable length** - Enter the length of the link cable.
- **Video gain** - Alter the signal gain for the image.
- **Color skew** - Adjust the timing of each color to fine tune the image.
- **Expert mode** - Please contact Black Box technical support for details.

### What is skew and why is compensation needed?

The twisted pair cabling supported by the ServSwitch Wizard VGA-USB modules consists of four pairs of wires per cable, three of which are used to convey red, green and blue video signals to the remote video monitor. Due to the slight difference in twist rate between these three pairs, the red, green and blue video signals may not arrive at precisely the correct times. This is visible as separate color shadows on high contrast screen images. This effect is particularly apparent when using higher screen resolutions and some types of category 5e cables.

The video compensation system within the remote module allows you to delay or advance the timing of any of the color signals so that they all arrive at the monitor at the correct times.

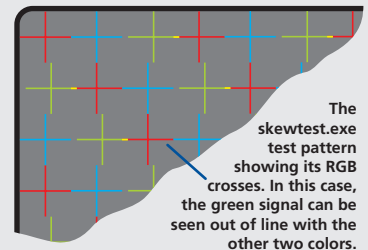
Take a close look at a locally connected display. From left to right, groups of pixels are usually arranged in the order: R / G / B and the signals must arrive in the correct order to obtain the optimum screen image. The skewtest.exe pattern (on the supplied CD-ROM) in particular helps to highlight the pixel layout by showing very narrow horizontal and vertical lines.

### Test images while compensating

For best results while adjusting video compensation, arrange a combination of elements on the remote display. We suggest the following:

- Roughly half of the screen to display standard operating system color icons on a mid-green wallpaper.
- A quarter screen of the skewtest.exe pattern (available on the supplied CD-ROM).
- A quarter screen of standard black text on a white background.

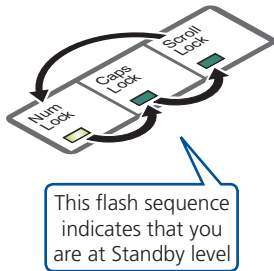
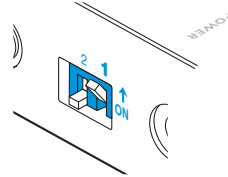
*Note: You need to set all of the above BEFORE entering video compensation mode because the USB keyboard will be isolated from the computer.*





### 3.4.1 To enter video compensation mode

- 1 Ensure that the two ServSwitch Wizard VGA-USB units are connected to the computer and powered on. A USB keyboard must be connected to the remote unit.
- 2 Arrange your test images on the remote screen. Please refer to the section 'Test images while compensating' shown bottom left.
- 3 On the remote unit, click the miniature switch **1** to its ON position.



The indicators on the keyboard linked to the remote unit will begin to flash in sequence. Also, the green indicator adjacent to the CATx link socket will flash.

*Note: During video compensation mode, the keyboard and any other connected USB devices will be temporarily isolated from the computer.*

You are now at the **standby level** within video compensation mode.

From standby, you can choose which adjustments to make. Generally you should set the cable type and cable length options first. Then, if necessary, use the video gain and color skew adjustments to fine tune the remote video image.

**Please see the next page for details about each adjustment >>>**

When your adjustments are complete, return the unit to normal operation as described below:

### 3.4.2 To exit video compensation mode (return to normal operation)

- 1 Ensure that you are at standby level by exiting from any adjustment options.
- 2 On the remote unit, return the miniature switch **1** to its OFF position.  
All USB devices will be reconnected to the computer and normal operation will continue.

## 3.4 Video compensation (continued)

Once you have entered video compensation standby level, you can choose which adjustments to make. Generally you should set the cable type and cable length options first. Then, if necessary, use the video gain and color skew adjustments to fine tune the remote video image.

### Dual-variants

By default, all video compensation changes that you make will affect both channels equally. If you wish to adjust the channels separately:

- Enter the video compensation standby level. The green indicators on both link sockets of the remote module will flash.
- From standby, press **[H]**. The keyboard indicators will alternate between the Num Lock and Scroll Lock, and the Caps Lock. Press **[1]** or **[2]** to select the primary or secondary video display, respectively. The green indicator of the link socket corresponding to the chosen video channel will flash (lower=primary, upper=secondary), the other will remain on.
- Make the required compensation changes to the chosen video channel using the techniques described below.
- To return to using both channels, from standby, press **[H]** and then press **[0]**. The green indicators of both link sockets will flash.

### 3.4.3 To set the cable type

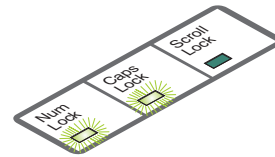
a From standby, press **[C]**. The Num Lock and Caps Lock indicators will flash.

b Type the number that corresponds to the category of link cable used:

- Press **[1]** for **Cat 5**
- Press **[2]** for **Cat 5e**
- Press **[3]** for **Cat 6**
- Press **[4]** for **Cat 7**
- Press **[5]** for **Cat 7a**

c Press **[Enter]** to save the value and return to standby.

Alternatively, press **[Esc]** to discard any change and return to standby.



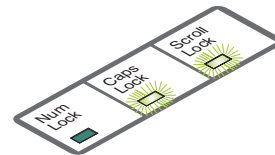
### 3.4.4 To set the cable length

a From standby, press **[L]**. The Caps Lock and Scroll Lock indicators will flash.

b Use the keypad to enter the cable length in meters.

c Press **[Enter]** to save the value and return to standby.

Alternatively, press **[Esc]** to discard any change and return to standby.



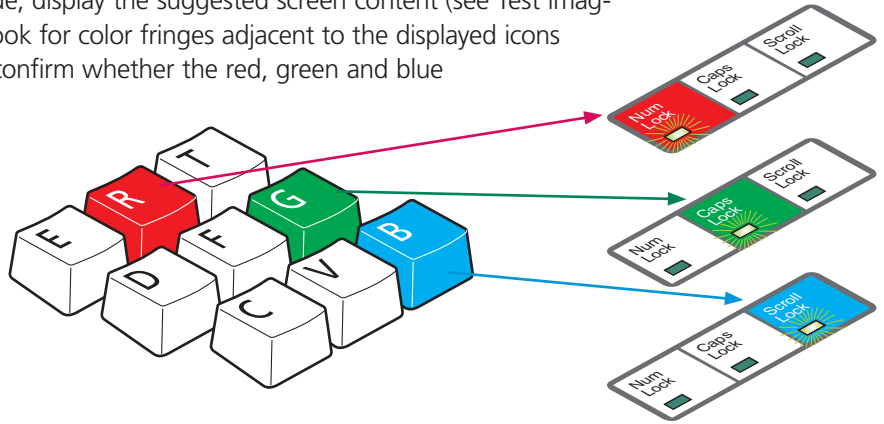
Note: You can also increase or decrease the cable length setting from the standby level (and view the resulting change in screen image quality) using **[↑]** and **[↓]** respectively. If necessary, press **[Home]** to return to a neutral setting. Such adjustments to the cable length setting are saved automatically.

### 3.4.5 To adjust video gain

- a From standby, use **←** and **→** to decrease or increase the gain level. If necessary, press **Home** to return to a neutral setting. Gain adjustments are saved automatically.

### 3.4.6 To adjust color skew

You will only need to use these adjustments if the video image is not sharp after adjusting the cable type and length. Before entering video compensation mode, display the suggested screen content (see Test images while compensating on the previous page). Look for color fringes adjacent to the displayed icons and text. Also check the skewtest.exe image to confirm whether the red, green and blue crosses are all vertically aligned.



- a From standby, press either **R**, **G** or **B** depending on which color needs to be adjusted. The Num Lock, Caps Lock or Scroll Lock indicators will flash for the Red, Green and Blue channels respectively.
- b Use **←** and **→** to adjust the delay for the chosen color while watching the results on the remote video display.  
*Note: If the screen goes blank during adjustment, either press the opposite arrow key to the one you last pressed or press **Home** to reset all delays.*
- c Press **Enter** to save the setting and return to standby.  
 Alternatively, press **Esc** to discard any change and return to standby.

## 4. Operation

### 4.1 General use

In use, the ServSwitch Wizard VGA-USB modules should be transparent - the system and its peripherals should operate exactly as normal, the only difference being that they are now up to 984 feet (300 meters) apart.

In some installations, you may see some 'shadows' to the right of high contrast screen characters. This can be caused by an incorrect video compensation setting and it may be necessary to make adjustments to correct this. Please see Video compensation in the 'Installation' section.

### 4.2 Dual user arbitration

When using two sets of ServSwitch Wizard VGA-USB modules to allow two users to access a single computer, be aware that arbitration between the users is handled by the USB sub-system of the computer. Unlike with other Black Box products, this means that both users can control the computer at exactly the same time and the resulting keyboard and mouse influences will be an amalgam of the two inputs - i.e. a mouse move to the right by one user will cancel out a simultaneous left mouse move by the other. The same is also true when the local module has feed-through peripherals attached to it, adjacent to the computer.

For this reason, the ServSwitch Wizard VGA-USB dual user arrangement is better suited to situations where two users would not often require simultaneous access.

### 4.3 Peripheral operation

#### 4.3.1 USB

Each ServSwitch Wizard VGA-USB remote module provides four USB outlets, each of which can support USB 2.0 peripherals at speeds up to 12Mbps. The ServSwitch Wizard VGA-USB appears to the computer as a four port USB hub.

If the link between the modules is interrupted, any connected USB peripherals will be automatically disabled and re-enabled once the connection is restored.

[Dual-variant only] Note: When connecting four USB devices to the unit, ensure that their total power requirements do not exceed 1700mA (1.7A). The USB standard states a maximum allowable current draw of 500mA (0.5A) per device, although most devices remain well below this limit - USB keyboards and mice typically require 100mA. Each ServSwitch Wizard VGA-USB module contains a self-resetting fuse that will prevent damage by shutting down the unit if the total power draw becomes excessive.



## Appendix A. Troubleshooting

### A.1 Status indicators

The green indicators built into the link connectors on each module provide useful feedback regarding the connection and power status:

#### During startup (of the local module)

- One very short green flash: no valid DDC information available from a locally connected video monitor, no changes made to stored DDC information.
- Single green flash: DDC information being read from a locally connected video monitor, but no changes made to stored DDC information.
- Rapid green flash for 2 to 3 seconds, followed by single flash: New DDC information being read and stored from a locally connected video monitor.
- Two green flashes - Checksum error prior to copying - no information will be programmed.
- Three green flashes - Too much data to fit into the module - the module can hold a maximum of two pages of DDC information.
- Rapid green flashing followed by four flashes - data was lost during copying - the default data was substituted. Repeat the power on process.
- Rapid green flashing followed by five flashes - Checksum error during copying - the default data was substituted. Repeat the power on process.

#### During operation (either module)

- Continual yellow: Valid CATx link to other module sensed (on dual-variants, only the indicator of the **lower** link connector is used for this purpose).
- Continual green: Correct power input sensed.

Important: The ServSwitch Wizard VGA-USB can be used with other hubs in the system, but please note that due to power constraints, the local unit should not be connected to the downstream port of a bus-powered USB hub. Additionally, dual-variant local units must always be powered using their supplied power adapter. Please see section 3.2.1.5 Local module power for details.

### Appendix B. Safety Information

- For use in dry, oil free indoor environments only.
- Do not use to link between buildings.
- Ensure that all twisted pair interconnect cables are installed in compliance with all applicable wiring regulations.
- Do not connect CATx link interfaces (RJ45 style connectors) to any other equipment, particularly network or telecommunications equipment.
- Warning – the power adapter contains live parts.
- No user serviceable parts are contained within the power adapter - do not dismantle.
- Plug the power adapter into a grounded socket outlet close to the module that it is powering.
- Replace the power adapter with a manufacturer approved type only.
- Do not use the power adapter if the power adapter case becomes damaged, cracked or broken or if you suspect that it is not operating properly.
- If you use a power extension cord with the remote module, make sure the total ampere rating of the devices plugged into the extension cord do not exceed the cord's ampere rating. Also, make sure that the total ampere rating of all the devices plugged into the wall outlet does not exceed the wall outlet's ampere rating.
- Do not attempt to service the modules yourself.
- The power supply can get warm in operation – do not situate it in an enclosed space without any ventilation.

**Black Box Tech Support: FREE! Live. 24/7.**

Tech support the  
way it should be.



Great tech support is just 30 seconds away at 724-746-5500 or [blackbox.com](http://blackbox.com).



### About Black Box

Black Box Network Services is your source for an extensive range of networking and infrastructure products. You'll find everything from cabinets and racks and power and surge protection products to media converters and Ethernet switches all supported by free, live 24/7 Tech support available in 30 seconds or less.

© Copyright 2012. Black Box Corporation. All rights reserved.

ACU5250A-R2, rev. 1